

# ARTWORK APPROVAL FORM

## ORDER DETAILS

ORDER NUMBER: X  
 ITEM CODE: ML1087  
 QUANTITY: X

## ITEM DETAILS

MATERIAL: FINE POLYESTER  
 ITEM SIZE: 8 cm x 2 (1,5 cm width)  
 X: X  
 X: X  
 X: X

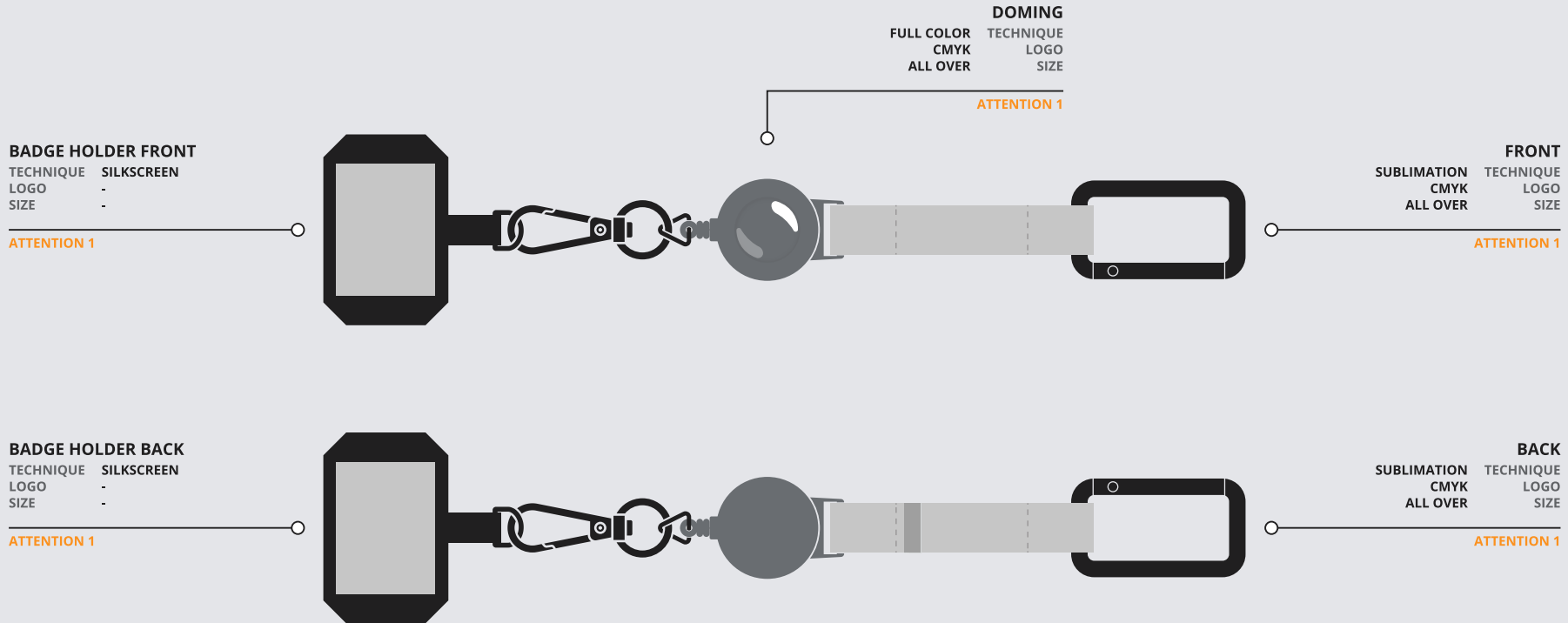
## MATERIAL COLOURS

STRAP:  WHITE  
 STITCHES:  MATCHING  
 X:  X  
 X:  X  
 X:  X

METAL PARTS:  BLACK / OWN PMS X C  
 CARABINER:  BLACK / OWN PMS X C  
 BADGE HOLDER:  X / OWN PMS X C  
 BADGE REEL:  X / OWN PMS X C  
 X:  X



SCALE 1:2



yourChoice

GENERAL COMMENT:  
 DUE TO THE NATURE OF FULL COLOUR PRINTING THE OUTCOME OF THE FINAL COLOUR RESULT CAN BE SLIGHTLY DIFFERENT IN A REAL SAMPLE.

ATTENTION 1:

GENERAL COMMENT:

ATTENTION 2:

# ML1087

## ANTI-LOSS RETRACTABLE BADGE REEL PHONE HOLDER WITH SUBLIMATED STRAP

Material: Lanyard - Fine Polyester  
 Badge Reel - ABS  
 Hook - Zinc Alloy  
 D Ring - Iron

Item: 18 x 1,5 cm

SCALE 1:1

Technique: Strap / Sublimation  
 - same design on both side  
 - different design on both side

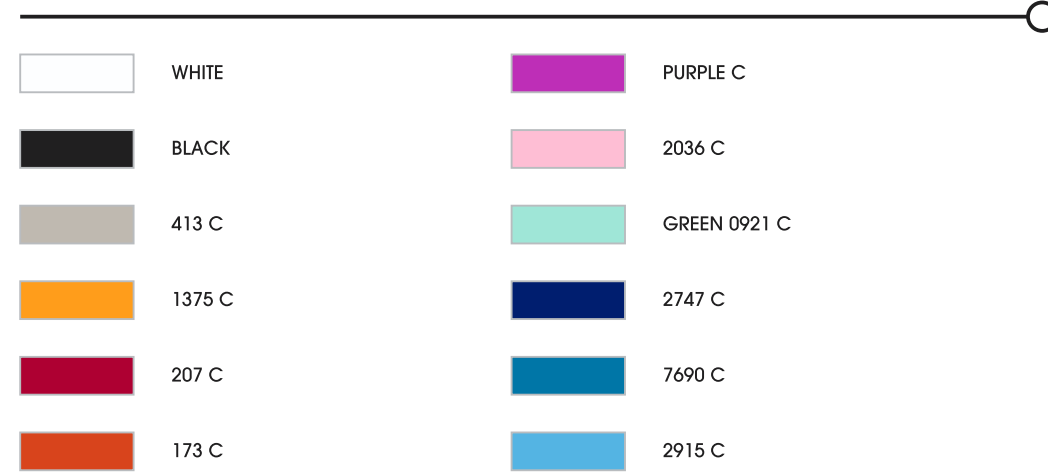
Badge Reel / Doming  
 - no logo  
 - Full Color

Badge Holder / Silkscreen  
 - 1-3 colors at one side  
 - 1-3 colors at both side

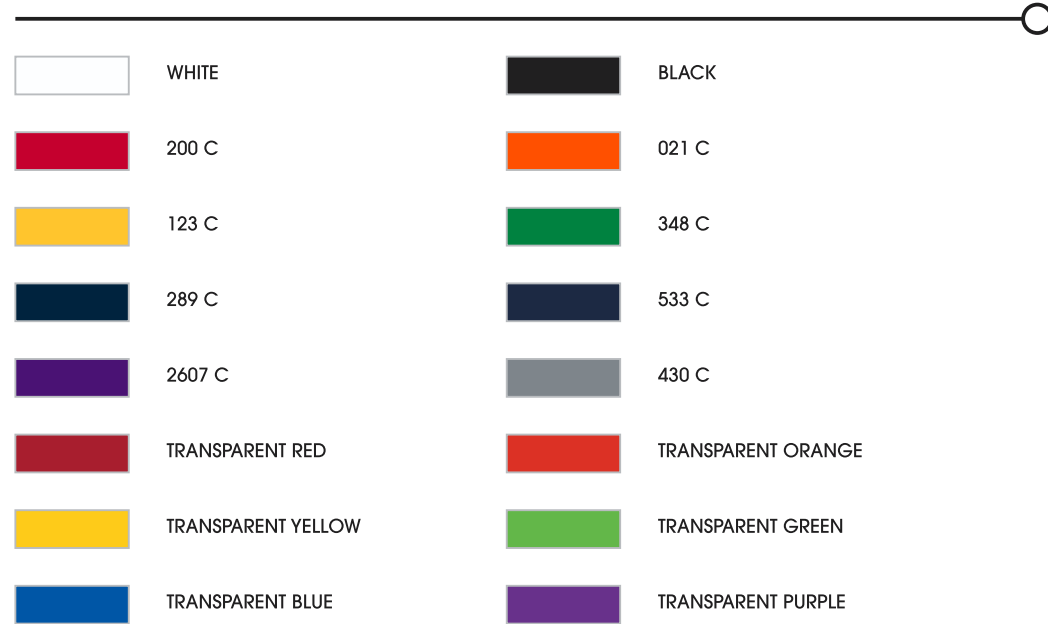
### FINE POLYESTER - STANDARD COLOURS



### BADGE HOLDER - STANDARD COLOURS



### BADGE REEL - STANDARD COLOURS



### CARABINER - STANDARD COLOURS

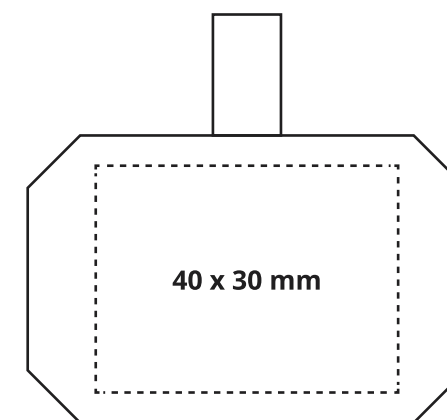
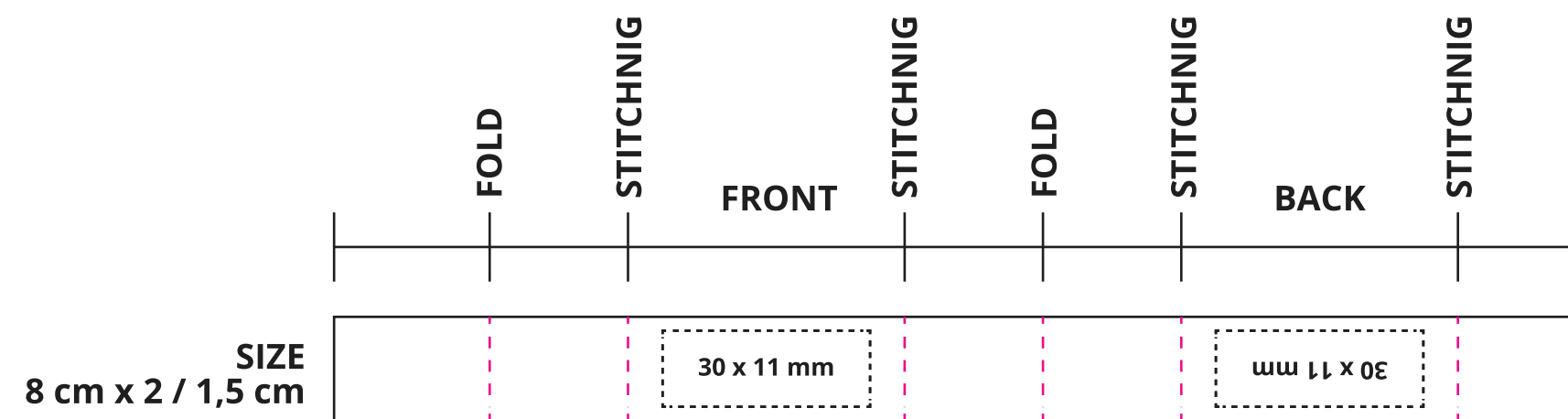


### METAL PARTS - STANDARD COLOURS

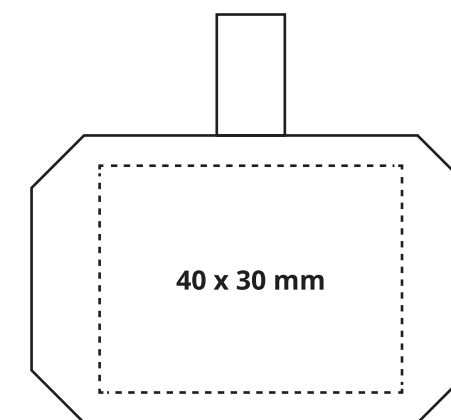


### LEGEND:

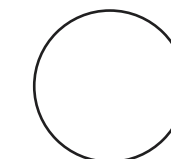
----- SAFETY AREA  
 \_\_\_\_\_ FINISHED COMPONENT



BADGE HOLDER FRONT



BADGE HOLDER BACK



DOMING BADGE REEL