

ARTWORK APPROVAL FORM

ORDER DETAILS

ORDER NUMBER: X
 ITEM CODE: ML1089
 QUANTITY: X

ITEM DETAILS

MATERIAL: FINE POLYESTER
 ITEM SIZE: 8 cm x 2 (2 cm width)
 X: X
 X: X
 X: X

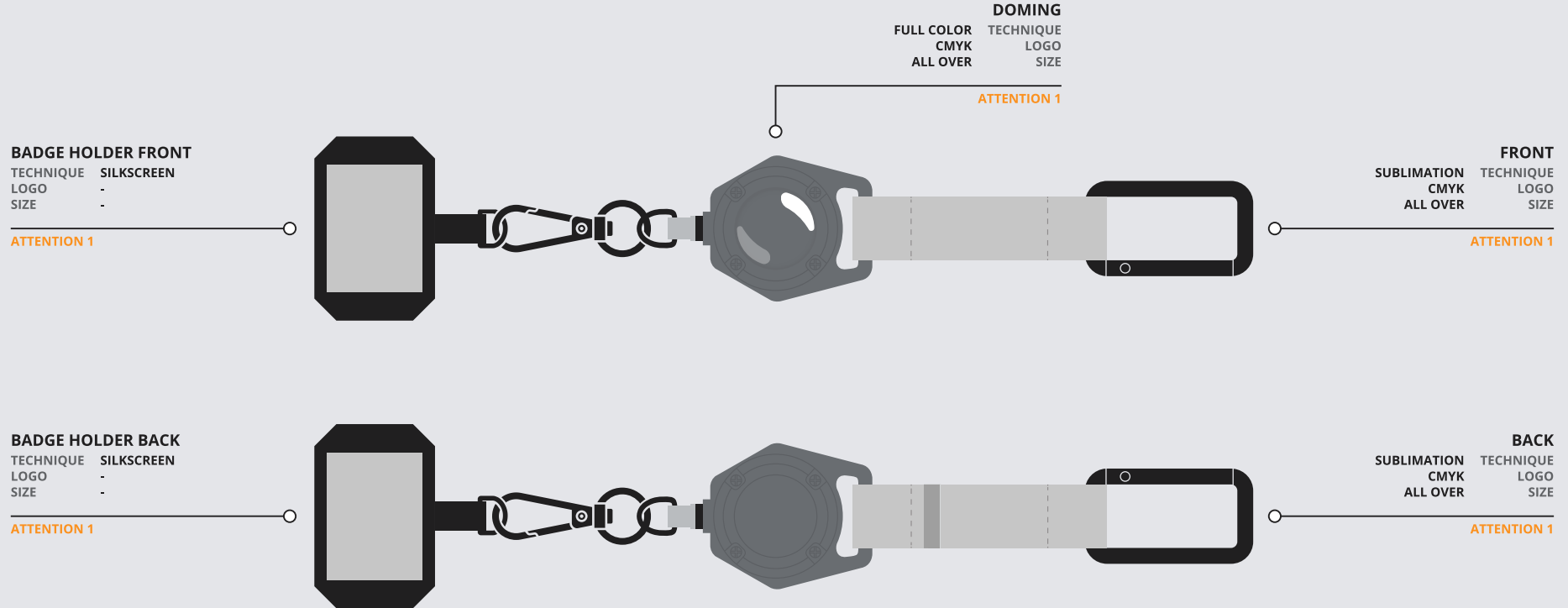
MATERIAL COLOURS

STRAP: WHITE
 STITCHES: MATCHING
 X: X
 X: X
 X: X

METAL PARTS: BLACK / OWN PMS X C
 CARABINER: BLACK / OWN PMS X C
 BADGE HOLDER: X / OWN PMS X C
 BADGE REEL: X / OWN PMS X C
 X: X



SCALE 1:2



yourChoice

GENERAL COMMENT:
 DUE TO THE NATURE OF FULL COLOUR PRINTING THE OUTCOME OF THE FINAL COLOUR RESULT CAN BE SLIGHTLY DIFFERENT IN A REAL SAMPLE.

ATTENTION 1:

GENERAL COMMENT:

ATTENTION 2:

ML1089

ROBUST ANTI-DROP & ANTI-THEFT BADGE REEL PHONE HOLDER WITH STRAP

Material: Lanyard - Fine Polyester
 Badge Reel - ABS
 Hook - Zinc Alloy
 D Ring - Iron

Item: 18 x 2 cm

SCALE 1:1

Technique: Strap / Sublimation
 - same design on both side
 - different design on both side

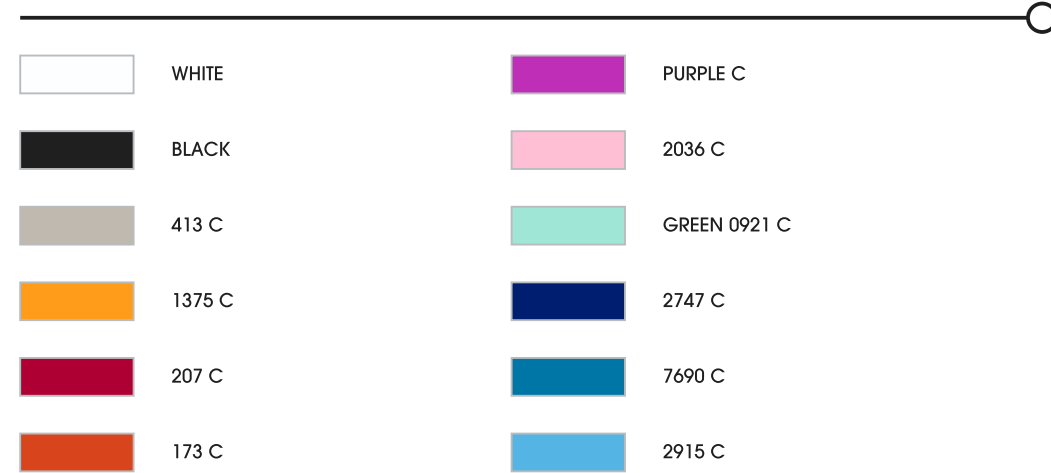
Badge Reel / Doming
 - Full Color

Badge Holder / Silkscreen
 - 1-3 colors at one side
 - 1-3 colors at both side

FINE POLYESTER - STANDARD COLOURS



BADGE HOLDER - STANDARD COLOURS



BADGE REEL - STANDARD COLOURS



CARABINER - STANDARD COLOURS

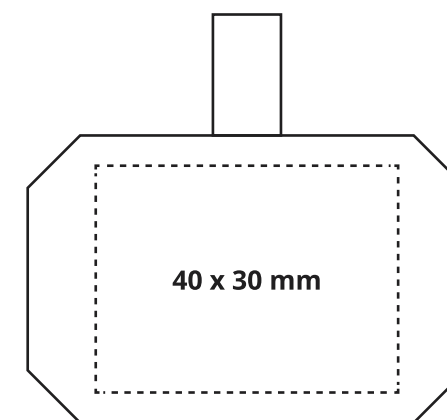
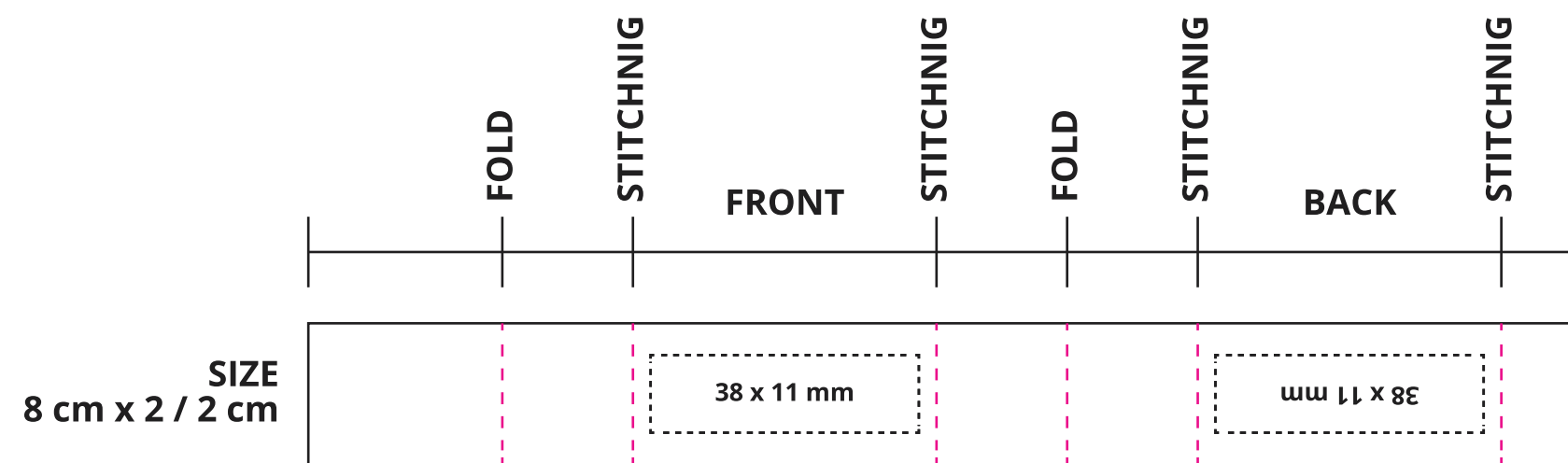


METAL PARTS - STANDARD COLOURS

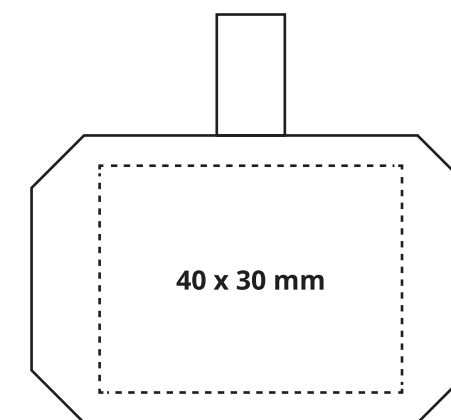


LEGEND:

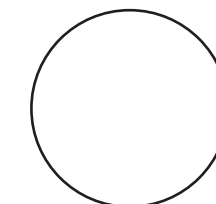
----- SAFETY AREA
 _____ FINISHED COMPONENT



BADGE HOLDER FRONT



BADGE HOLDER BACK



DOMING BADGE REEL