

MPAP02

APRON WITH POCKET

Fabric: Polyester 80% + Cotton 20%
Grammage: 190 gsm
Item: 69,5 x 98 cm

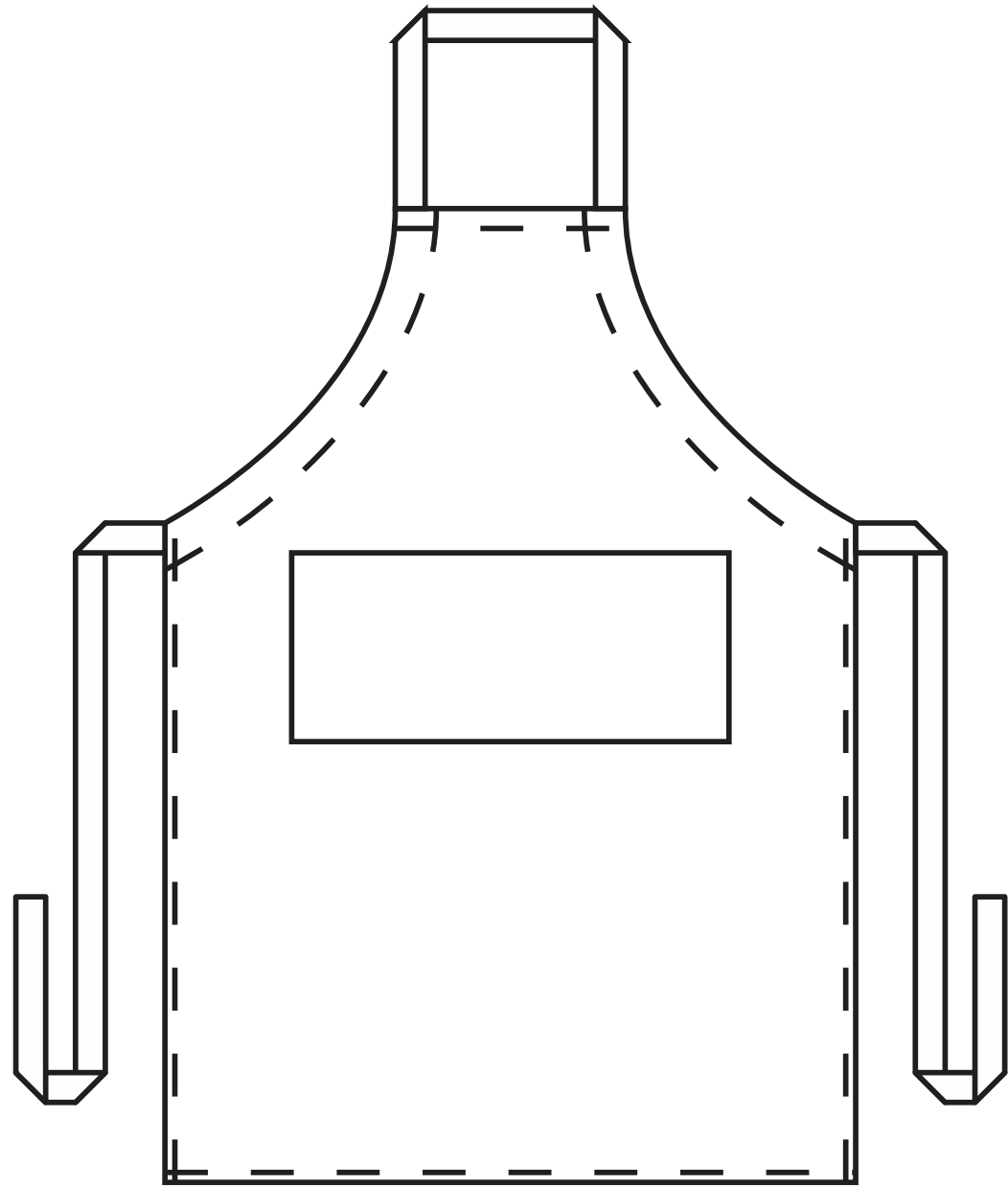
Technique: Sublimation (all-over)
Embroidery
Silkscreen

SCALE 1:1

SCALE 1:1

FABRIC - STANDARD COLOUR

 WHITE	 1665 C
 624 U	 7724 C
 627 C	 2388 U
 300 U	 REFLEX BLUE U
 2766 C	 296 C
 690 C	 187 C
 421 U	 7639 U
 7540 C	 2325 U
 143 C	 144 C
 437 U	 281 U
 454 U	 7690 U
 COOL GRAY 7 C	 2768 C
 2144 U	 2935 U
 2728 C	 2756 C



FRONT