

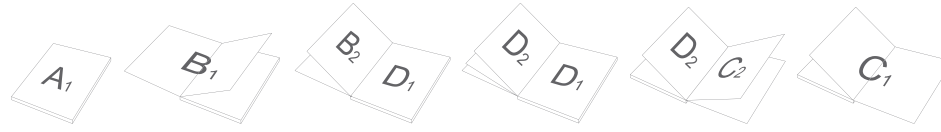
SCALE 1:4

**GENERAL COMMENTS:**

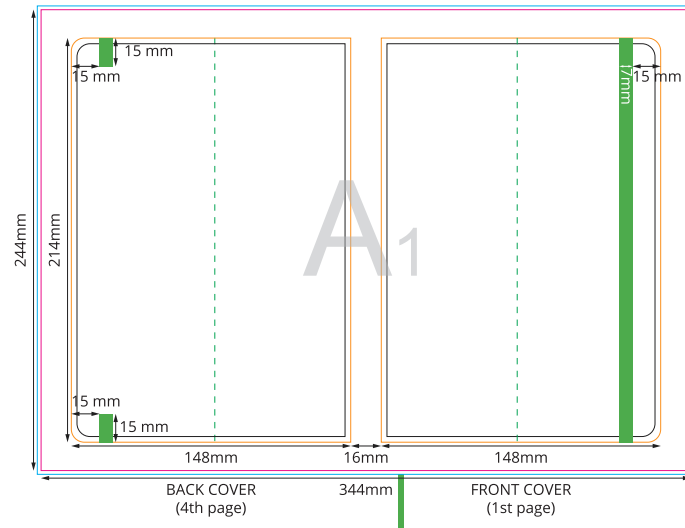
DUE TO THE NATURE OF FULL COLOUR PRINTING THE OUTCOME OF THE FINAL COLOUR RESULT CAN BE SLIGHTLY DIFFERENT IN A REAL SAMPLE.  
 WATERMARK EFFECT MIGHT BE DIFFERENT FROM EXPECTATION.THE FINAL EFFECT CAN BE TOO DARK OR TOO BRIGHT.

**ATTENTION:**

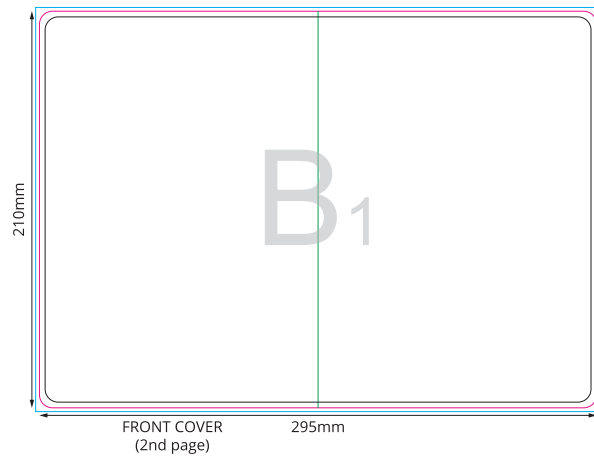
**SKETCH OF COMPONENT PLACEMENT**



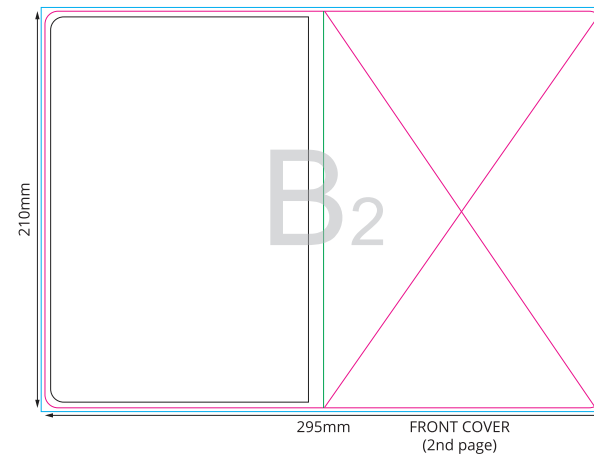
**OUTER COVER**



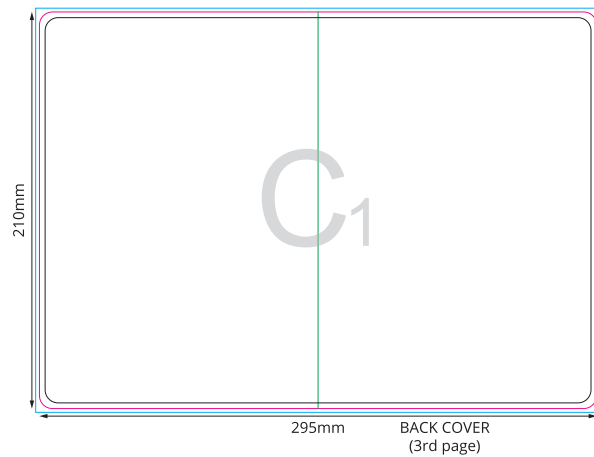
**TOP ENDSHEET - FRONT**



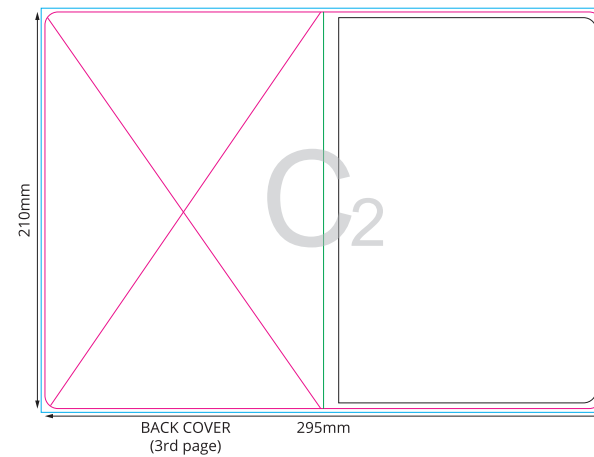
**TOP ENDSHEET - BACK**



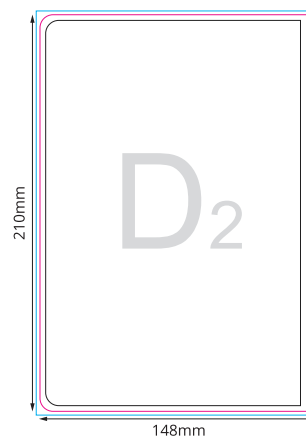
**BOTTOM ENDSHEET - FRONT**



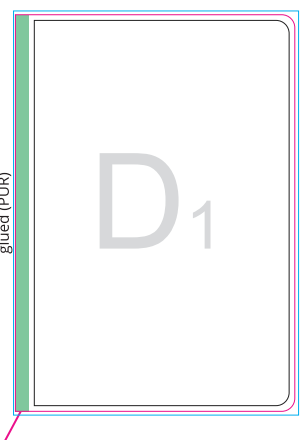
**BOTTOM ENDSHEET - BACK**



**PUR NOTEPAD - BACK**



**PUR NOTEPAD - FRONT**



**80 SHEETS**

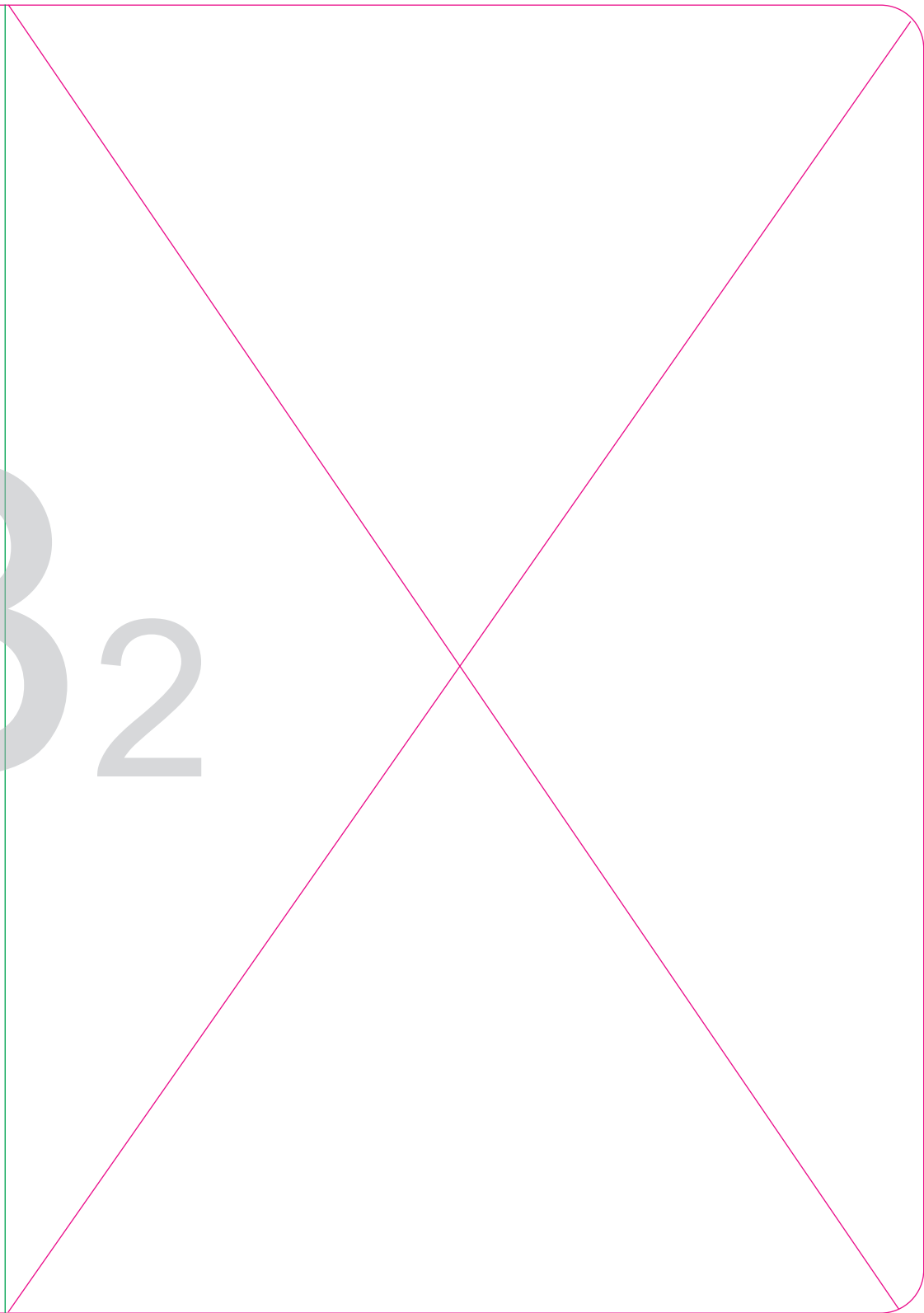
glued (PUR)

- Key:
- Finished component size
  - Bleed area. In case of bleed imprint, please extend it until blue line
  - Safe print area. Keep all important text and graphics within this area
  - Solid Board
  - Axis of the Crease
  - Visual spine edge

A<sub>1</sub>

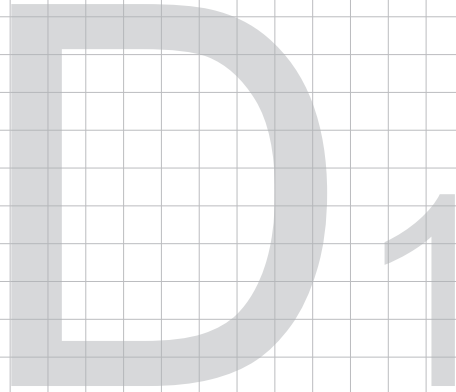

B<sub>1</sub>

B<sub>2</sub>



C<sub>1</sub>

$C_2$



D 1

D 2