

SCALE 1:2

GENERAL COMMENTS:

DUE TO THE NATURE OF FULL COLOUR PRINTING THE OUTCOME OF THE FINAL COLOUR RESULT CAN BE SLIGHTLY DIFFERENT IN A REAL SAMPLE.

WATERMARK EFFECT MIGHT BE DIFFERENT FROM EXPECTATION.THE FINAL EFFECT CAN BE TOO DARK OR TOO BRIGHT.

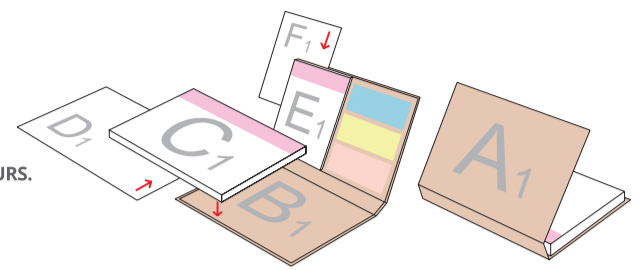
ATTENTION:

ALL IMPRINTS ON UNCOATED PAPER CAN BE A LITTLE SHINY.

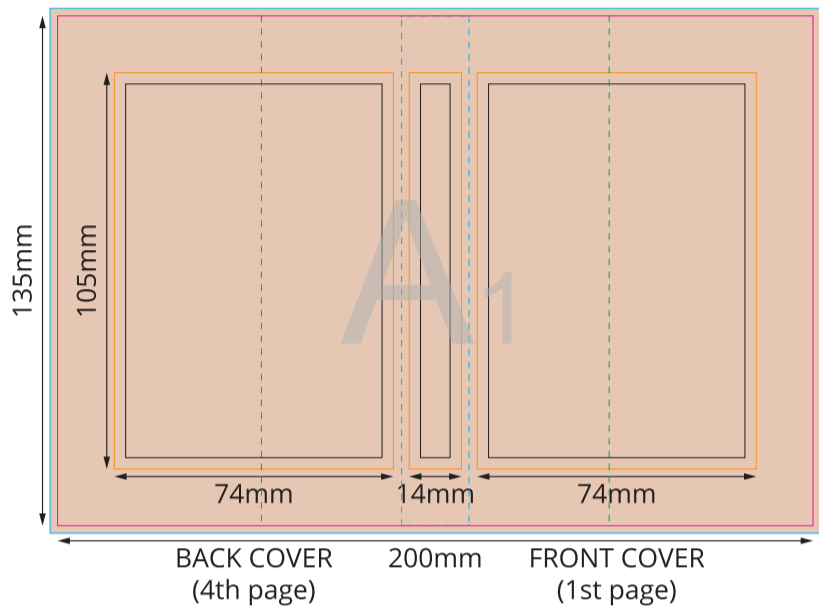
DUE THE SURFACE OF ECO ITEM (BROWN PAPER) THE COLOUR RESULT MIGHT BE DIFFER FROM EXPECTATION, ESPECIALLY FOR VERY BRIGHT COLOURS.

DUE THE MATERIAL AND PRODUCTION PROCESS ECO PRODUCTS DON'T INCLUDE ANY FINISHING.

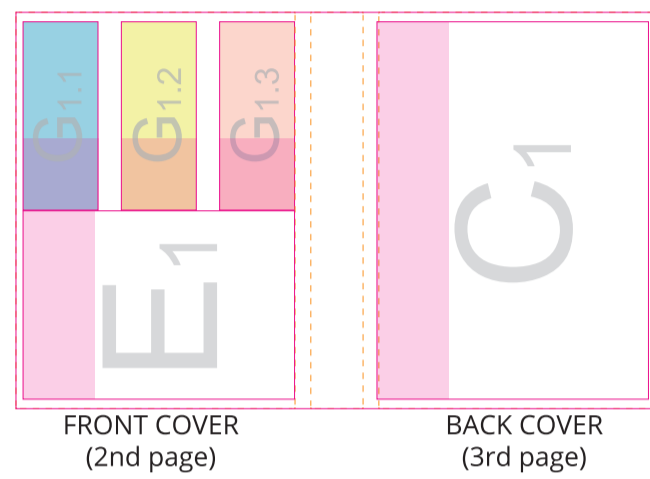
DUE THE CRAFT MATERIAL OF ITEM, WHILE COVER PART IS BEING FOLD, THERE IS RISK OF WIPING PRINT OUT ON THE COVER EDGES. IT IS SUGGESTED TO KEEP PRINTING INSIDE SAFE PRINT AREA



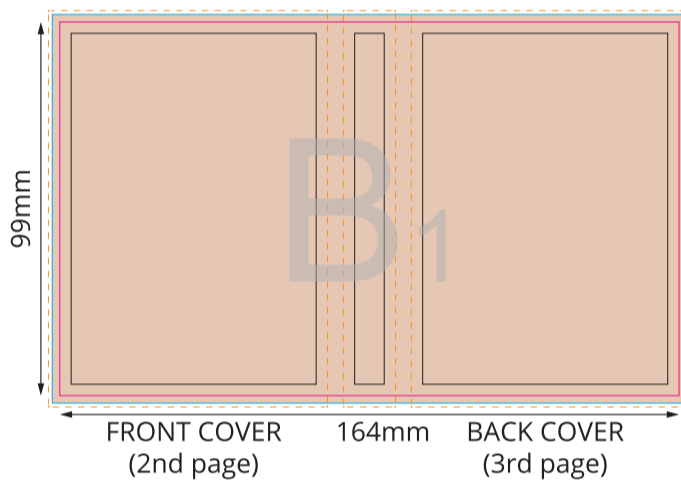
OUTER COVER



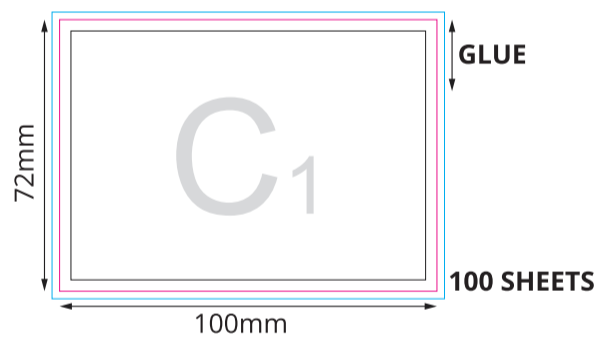
SKE CH F C P E P ACE E



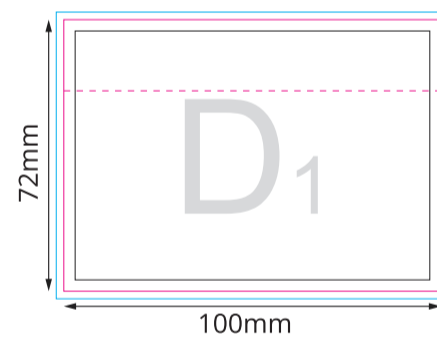
INNER COVER



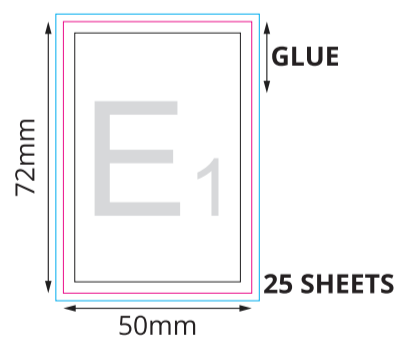
STICKY NOTES



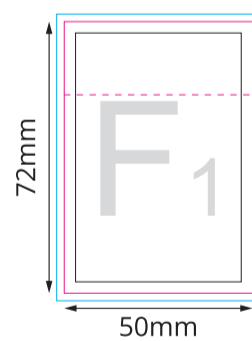
BOTTOM SHEET



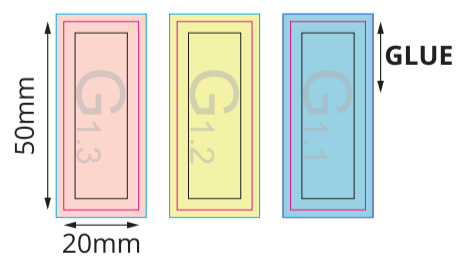
STICKY NOTES



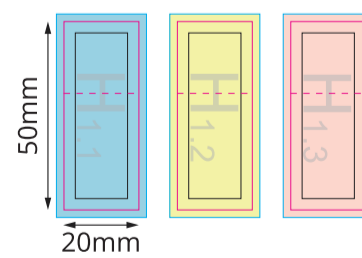
BOTTOM SHEET



PAPER MARKERS

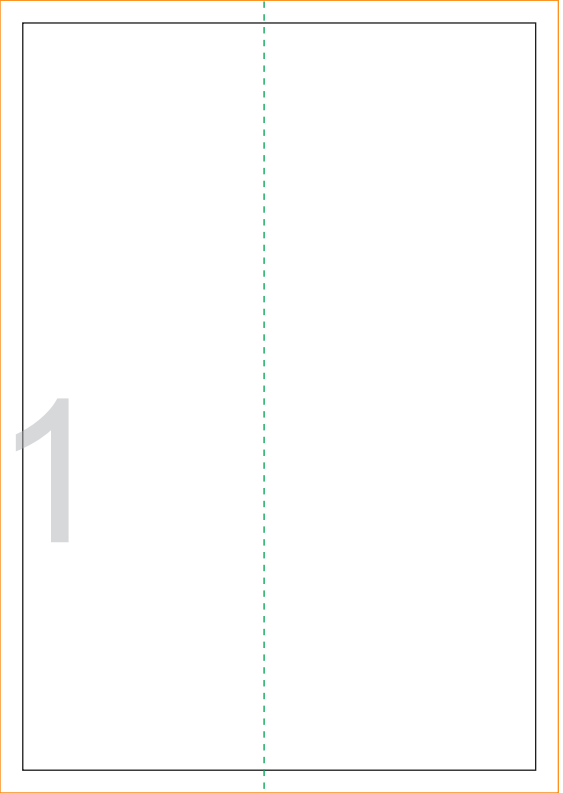
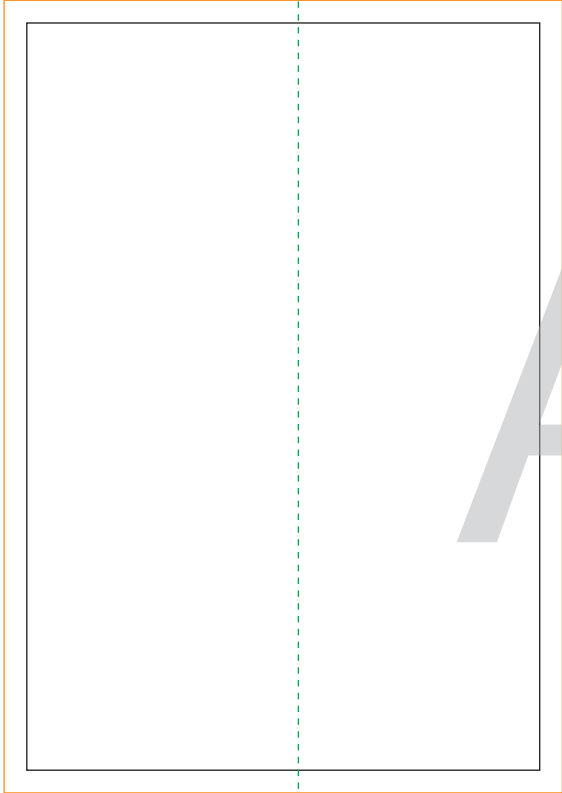


BOTTOM SHEET



Key:

- Finished component size
- Bleed area. In case of bleed imprint, please extend it until blue line
- Safe print area. Keep all important text and graphics within this area
- Solid Board
- - Edge of Solid Board
- - Visual Spine Edge
- - Axis of the Product



A 1

B1

C₁

A diagram showing a rectangular frame with a blue outer border and a pink inner border. A dashed pink horizontal line is drawn across the middle of the frame. The text "D1" is centered within the frame, with the "D" being significantly larger than the "1".

D₁

E₁

F 1

G
1.1

G
51.2

G
1.3

Handwriting practice for the Chinese character 五 (wǔ, five). The character is shown in a large, light gray font within a black rectangular box. A dashed pink horizontal line is drawn across the middle of the character, indicating the midline for the top horizontal stroke. The character is composed of five strokes: a top horizontal stroke, a vertical stroke, a middle horizontal stroke, a bottom horizontal stroke, and a small dot at the bottom center.

FH
1.2

F

1.3