

SCALE 1:2

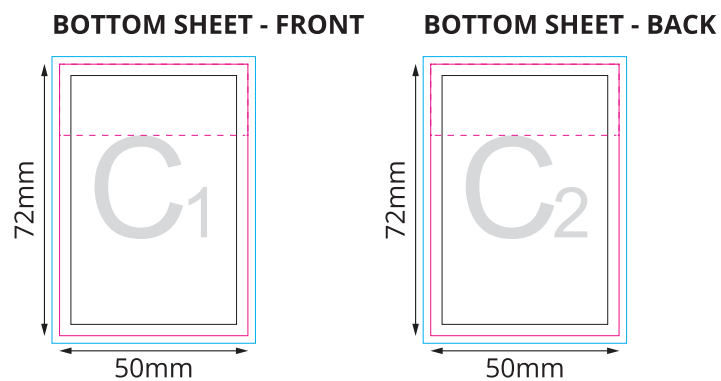
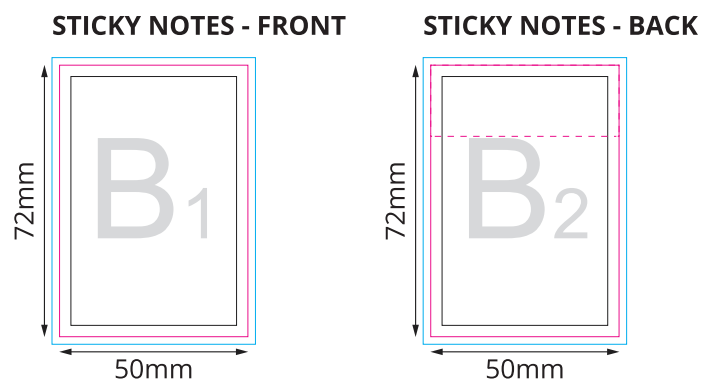
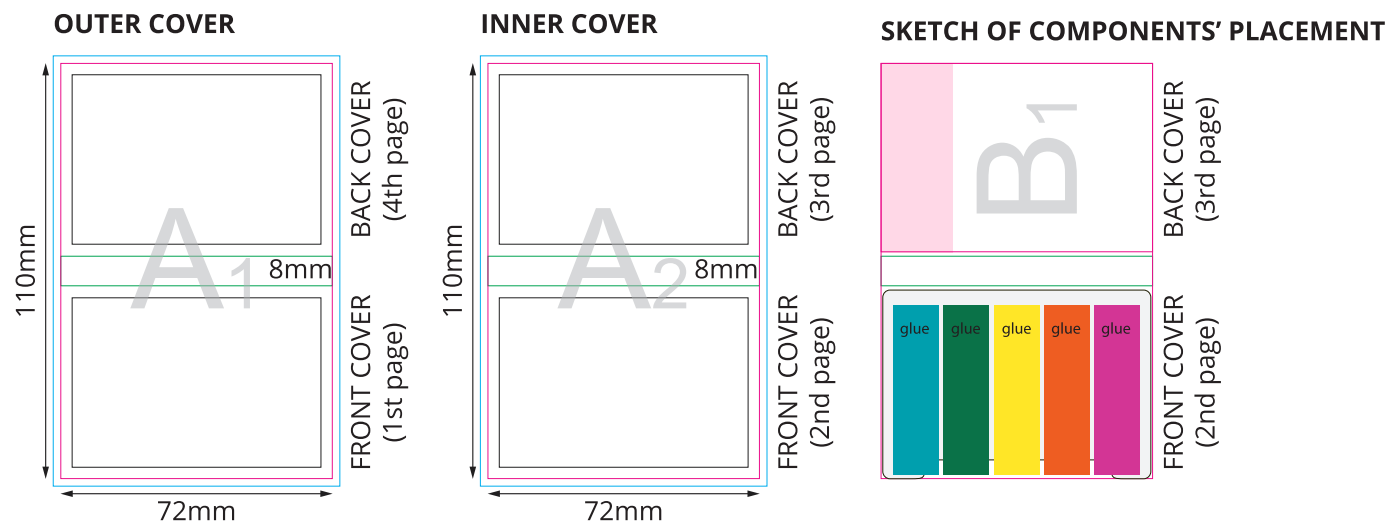
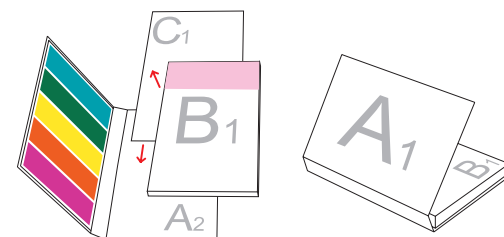
GENERAL COMMENTS:

THE FINAL OUTCOME OF THE COLOURS WILL BE AFFECTED DEPENDING OF THE LAMINATION TYPE.

DUE TO THE NATURE OF FULL COLOUR PRINTING THE OUTCOME OF THE FINAL COLOUR RESULT CAN BE SLIGHTLY DIFFERENT IN A REAL SAMPLE.

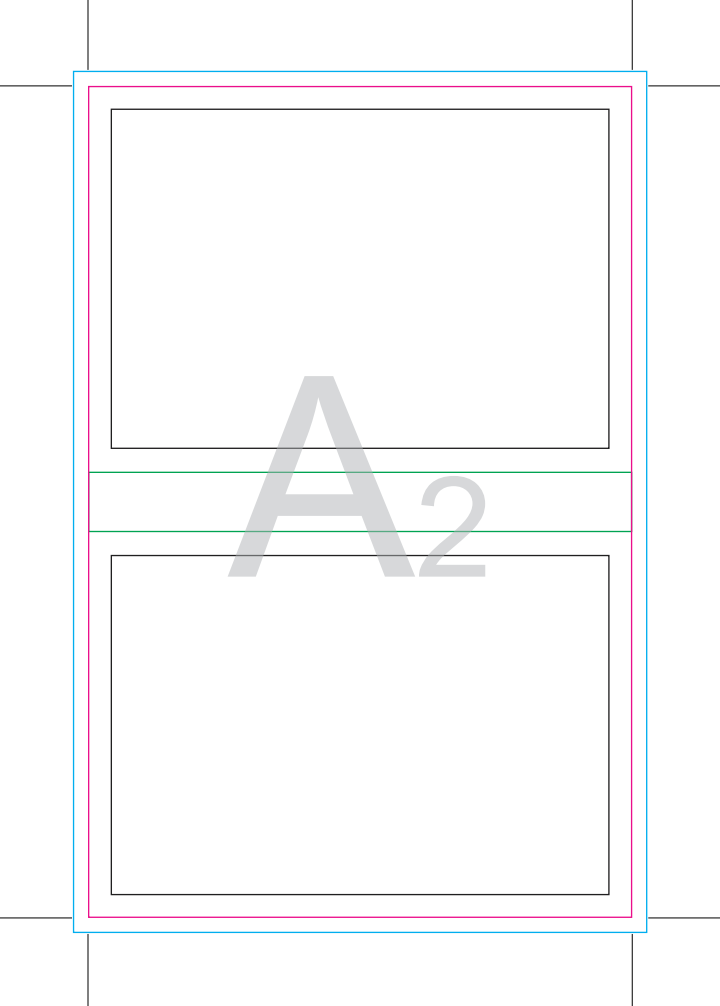
WATERMARK EFFECT MIGHT BE DIFFERENT FROM EXPECTATION.THE FINAL EFFECT CAN BE TOO DARK OR TOO BRIGHT.

ATTENTION:



- Key:
- Finished component size
 - Bleed area. In case of bleed imprint, please extend it until blue line
 - Safe print area. Keep all important text and graphics within this area
 - Solid Board
 - - Edge of Solid Board
 - - Visual Spine Edge
 - - Axis of the Product

A₁



A2



B₁

B₂

C₁

C₂