

SCALE 1:2

GENERAL COMMENTS:

DUE TO THE NATURE OF FULL COLOUR PRINTING THE OUTCOME OF THE FINAL COLOUR RESULT CAN BE SLIGHTLY DIFFERENT IN A REAL SAMPLE.
WATERMARK EFFECT MIGHT BE DIFFERENT FROM EXPECTATION.THE FINAL EFFECT CAN BE TOO DARK OR TOO BRIGHT.

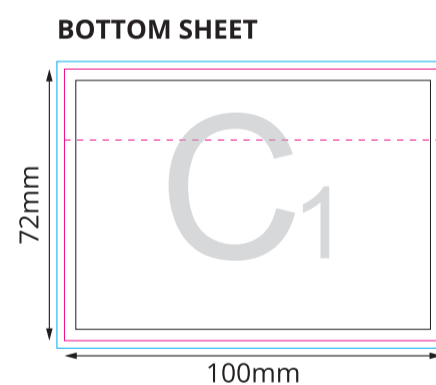
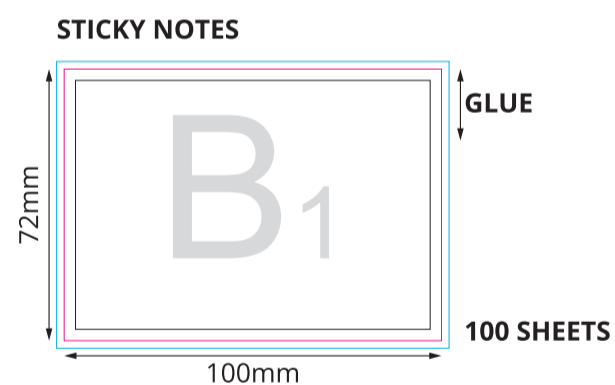
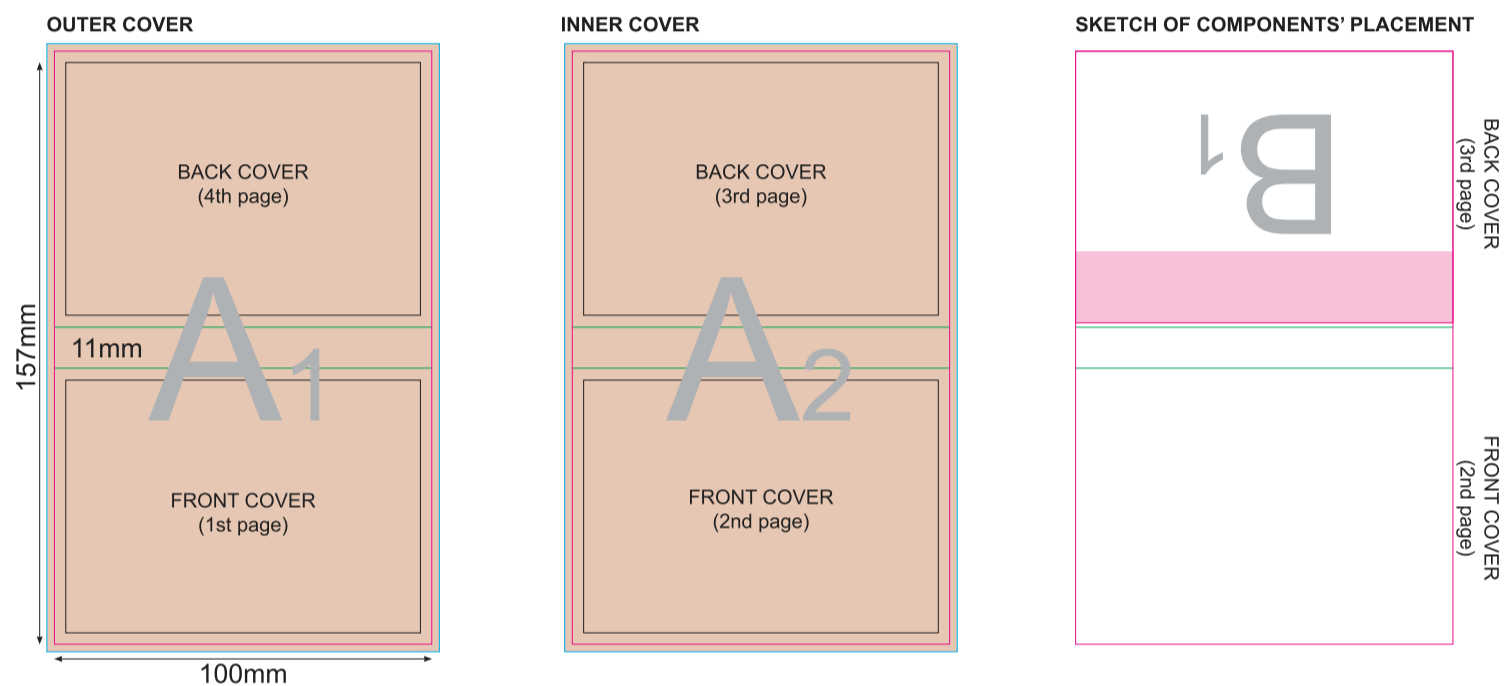
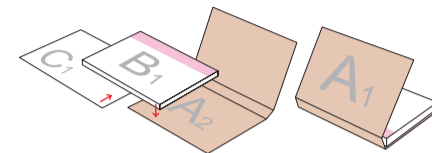
ATTENTION:

ALL IMPRINTS ON UNCOATED PAPER CAN BE A LITTLE SHINY.

DUE THE SURFACE OF ECO ITEM (BROWN PAPER) THE COLOUR RESULT MIGHT BE DIFFER FROM EXPECTATION, ESPECIALLY FOR VERY BRIGHT COLOURS.

DUE THE MATERIAL AND PRODUCTION PROCESS ECO PRODUCTS DONT INCLUDE ANY FINISHING.

DUE THE CRAFT MATERIAL OF ITEM, WHILE COVER PART IS BEING FOLD, THERE IS RISK OF WIPING PRINT OUT ON THE COVER EDGES. IT IS SUGGESTED TO KEEP PRINTING INSIDE SAFE PRINT AREA



Key:

- Finished component size
- Bleed area. In case of bleed imprint, please extend it until blue line
- Safe print area. Keep all important text and graphics within this area
- Solid Board
- - Edge of Solid Board
- - Visual Spine Edge
- - Axis of the Product